

**HOLO SHIFT**  
**TRS69305**  
 MULTI-CELL

PROJECT



TRS69305-BK-4K  
Black



TRS69305-BK  
Black



TRS69305-WH-4K  
White



TRS69305-WH  
White

**SPECIFICATION DETAILS**

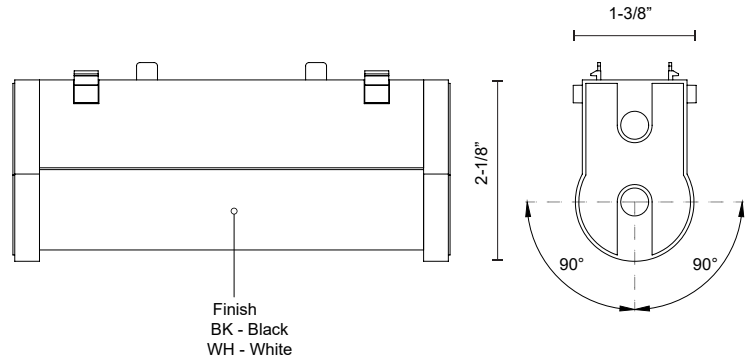
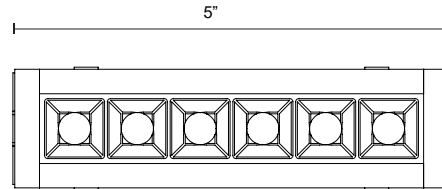
<b>Fixture Dimensions</b>	L5" x W1-3/8" x H2-1/8"
<b>Light Source</b>	Low Voltage LED
<b>Wattage</b>	6W
<b>Total Lumens</b>	510lm
<b>Delivered Lumens</b>	BK-434lm (@3000K); BK-450lm* (@4000K); WH-445lm* (@3000K); WH-470lm* (@4000K);
<b>Voltage</b>	48V, with DC Class 2 LED driver (see available canopy/driver options)
<b>Color Temperature</b>	3000K; 4000K;
<b>CRI (Ra)</b>	90CRI
<b>LED Rated Life</b>	50,000 hours
<b>Location</b>	Dry
<b>CEC Title 24 JA8</b>	Yes, JA8-2022
<b>Illumination Direction</b>	Directional
<b>Material</b>	Aluminum + Polymeric Material
<b>Paint Finish</b>	BK02; WH02

\* For custom options, consult factory for details.

\* For warranty information, please visit [www.kuzcolighting.com/warranty](http://www.kuzcolighting.com/warranty)

**DESCRIPTION**

Introducing the Holo Shift track head for the Kuzco Trilo track system. Illuminate any space as the multi-cell design effortlessly rotates any direction. Available in two standard sizes, Holo Shift seamlessly fits into your Trilo track system configuration.



Finish  
 BK - Black  
 WH - White

**KUZCO**

CANADA: 19054 28TH AVENUE - SURREY, BC V3Z 6M3  
 USA: 3035 E. LONE MOUNTAIN ROAD - LAS VEGAS, NV 89081

[WWW.KUZCOLIGHTING.COM](http://WWW.KUZCOLIGHTING.COM)

© 2024 KUZCO LIGHTING. ALL RIGHTS RESERVED.

**COMMENT**

