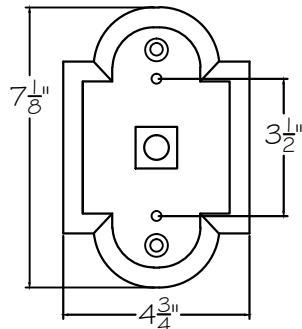
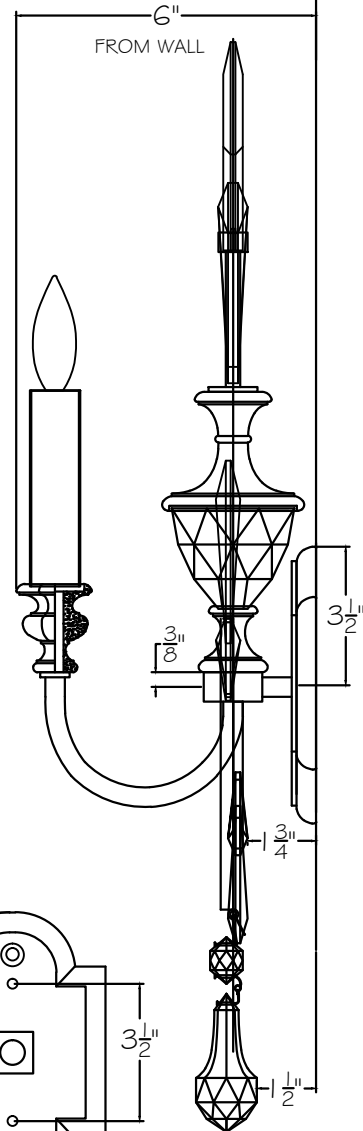
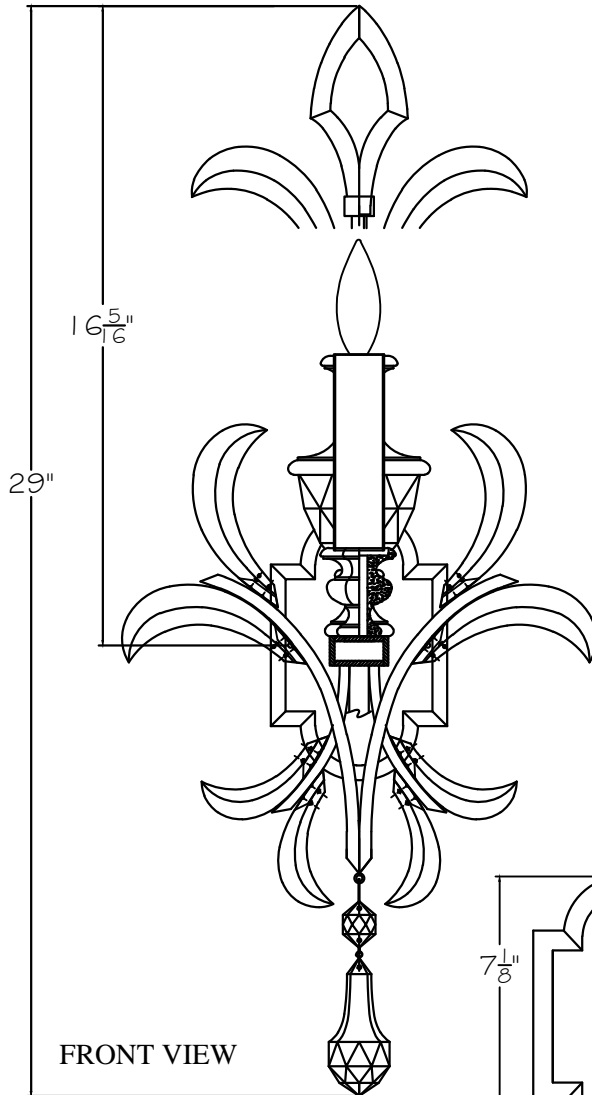
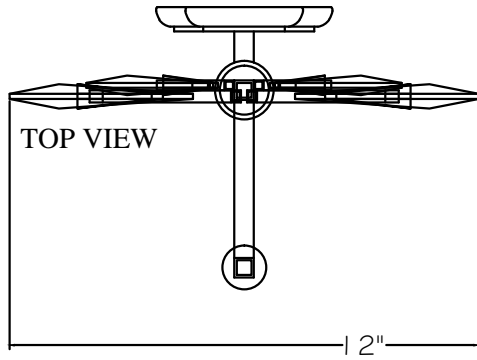


CUSTOMER REFERENCE DRAWING



STYLE CONFIGURATIONS:

-ST SILVER

760450 GOLD

-SF4 SILVER

-SF3 GOLD



This drawing, specifications and the product depicted are the exclusive property of Fine Art Handcrafted Lighting®. In compliance with US copyright and patent requirements, notice is hereby given that this document and the product depicted shall not be copied, altered or used in any manner without the expressed written consent of Fine Art Handcrafted Lighting®.

www.finearthl.com

Tel:(305) 821-3850
FINE ART LAMPS®

Fax:(305) 513-5736

STYLE NUMBER:

704950

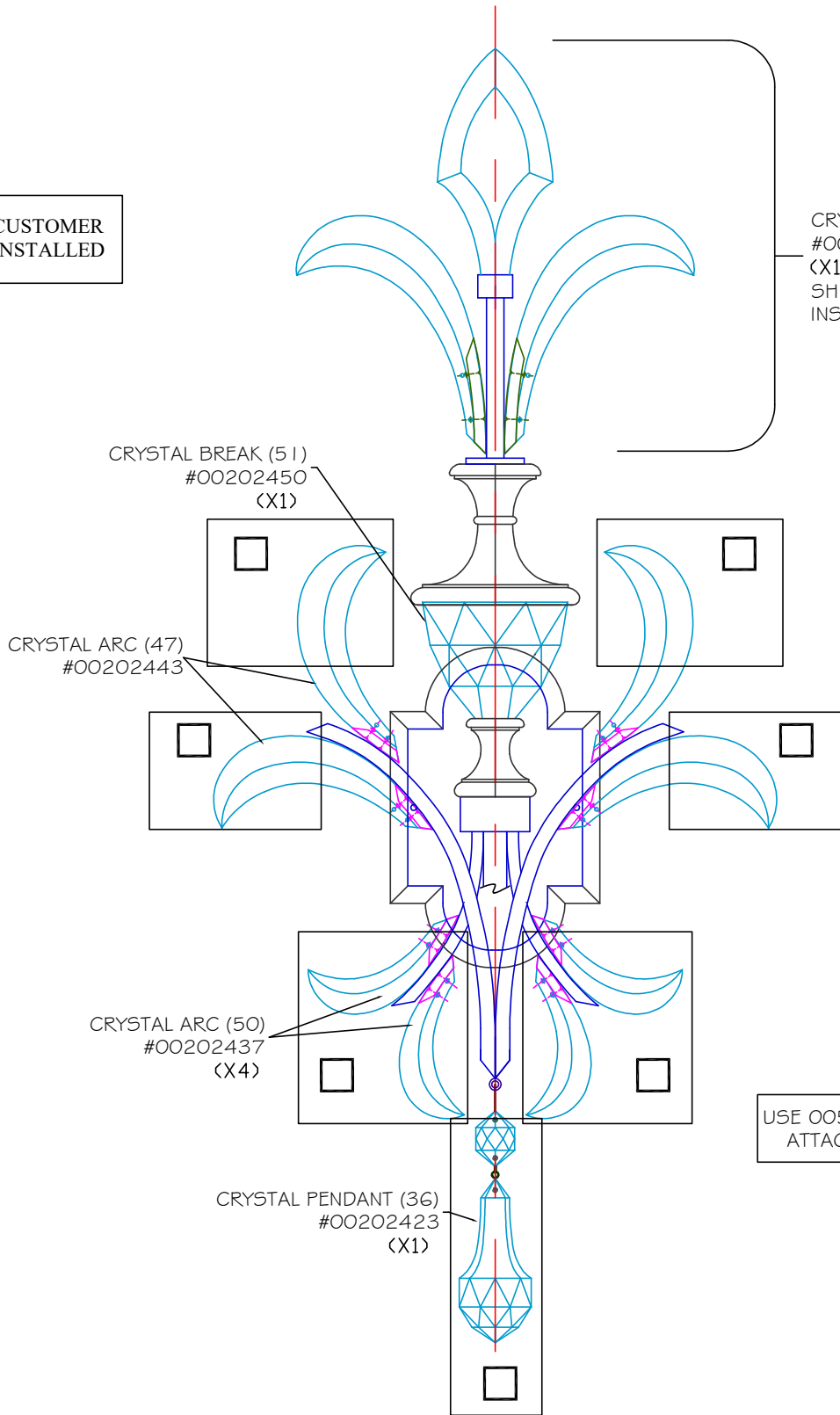
DATE:

4/17/2020

CRYSTALS LOCATIONS

REV.	ECN # IF APPLIC.	REVISION DESCRIPTION	REQD. BY	DRAFTER	DATE
A	NA	ORIGINAL RELEASED VERSION	NA	RB	01/12/07
B	N/A	UPDATE	JAR	NS	1/16/07
C	N/A	ADD NOTES	AC	RB	02/29/08

CUSTOMER
INSTALLED



CRYSTAL ASSEMBLY
#00960128
(X1)
SHIP AS ONE PIECE
INSIDE A BOX / SQUARE.

USE 00500816 TO
ATTACH CRYSTAL



This drawing and specifications are the exclusive property of BLUMBERG INDUSTRIES, INC., issued in strict confidence and shall not, without the prior written permission of BLUMBERG INDUSTRIES, INC., be produced, copied or used for any purpose whatsoever except the manufacture articles for FINE ART LAMPS.

5770-5772 Miami Lakes Dr. East / Miami Lakes, FL 33014
Ph: (305) 821-3850 FAX: (305) 821-1564

STYLE NUMBER: 704950ST

PART NUMBER: #00790558

ASSY. INSTRUCTION TEMPLATE

DRAFTER: RB

STYLE ENGINEER: JAR

DATE: 02/29/08

REVISION: C

SHEET: /